

FLOS

F0303000 Steel

Arco Led

Designed by Achille and Pier Giacomo Castiglioni, 1962

28W - 1224lm - 2700K



Floor lamp providing direct light. White Carrara marble base. Satin-finish stainless steel telescopic stem. Pressed, polished and zapon-varnished aluminum swiveling and height-adjustable reflector.

Are you a professional and your project needs consulting and support?

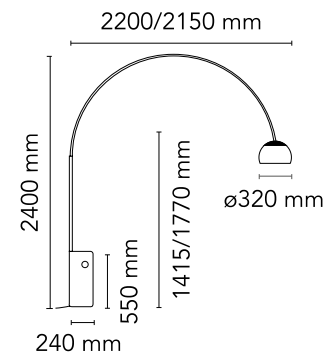
[BOOK AN APPOINTMENT](#)

Main specifications

EAN	8059607000991
Mounting	Floor
Environment	Indoor dry location
Light source type	LED
LED type	LED array
Lamp holder	COB LED
Power (W)	28
System flux (lm)	1224

Physical

Colour	Steel
Cord length (mm)	2700
Net weight (kg)	63.85
Package volume (m3)	0.24
IP internal	20



Download

Mounting instructions	PDF
Mounting instructions	PDF
Mounting instructions	PDF
Spare Parts	PDF

Photometric Files

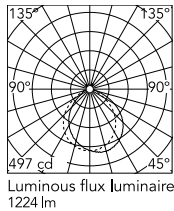
LDT / IES	LDT
-----------	---------------------

Technical Drawings

2D	ZIP
3D	ZIP



Schematic light drawing



Photometric

Lighting type	Direct
Light distribution	Asymmetric
CCT (K)	2700

Electrical

Insulation class	III
Frequency (Hz)	50/60
Main voltage (Vac)	100-240/48
Driver	Remote included
Dimmable	Yes
Dimming type	Electronic 48V
Dimming interface	Dimmer Integrated
Plug type	Type G, Type A, Type C
Batteries inside	No
Charging min time	No

Ecodesign and Energy Labelling

This product contains a light source of energy efficiency class D



Replaceable (LED only) light source by a professional



Replaceable control gear by an end-user

Spare Parts



F0310000
Marble base



RF00797
Polished reflector



RF02970
Long inox channel



RF02971
Medium inox channel



RF0300100
Fixing screw with joint



RF0300200
Pins and screw set



RF0303300
Optical led diffuser fixing screws



RF0303400
Small inox channel with grid and led



RF0303600

Switch dimmer 400mA assembly
for old version



RF20805

Middle electric cable with
connectors



RF21041

Inox stem



RF26383

Switch dimmer 600Ma for new
version



RF3320400

Black plug assembly kit & 48V
driver