

Details

FEATURES

A classic KnollStudio design, produced to Breuer's original specifications.

The KnollStudio logo and the signature of Breuer, Marcel are stamped into the base of the chairs.

CONSTRUCTION

Frame is seamless tubular steel with a polished chrome finish.

Thick cowhide or Spinneybeck belting leather and haired hide, as well as natural canvas.

Opaque, plastic, snap-in-place glides are included for optional insertion when used on hard floors.

FINISHES

The natural canvas has been added to the thick cowhide leather upholstery options available in black, light brown or white beige colours.

Spinneybeck Belting Leather upholstery option is available in a wide range of neutral and bright colours.

Spinneybeck Haired Hide upholstery option is available in a variety of distinctive colorways.

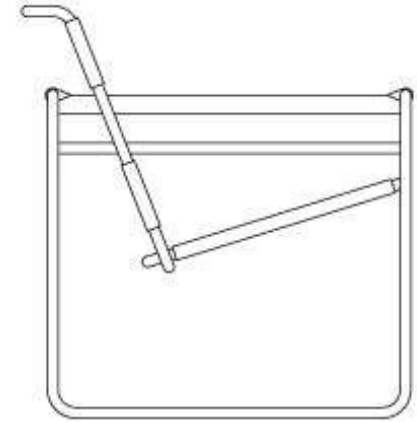
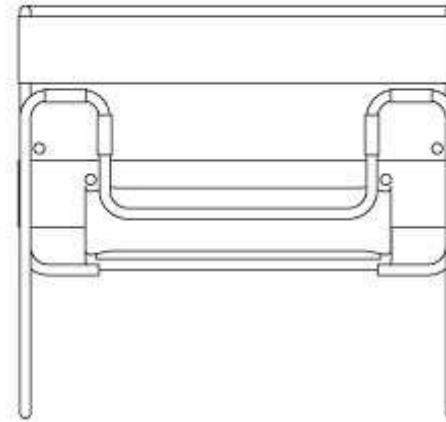
Frame is polished chrome finish.

AWARDS

The Museum of Modern Art Award, 1968.

Recognition as "Work of Art" Germany, 1982.

Dimensions



WASSILY LOUNGE CHAIR

79cm W x 69cm D x 73cm H, with a seat height of 42cm.